



Lago Plus



Model Code: LGP180L

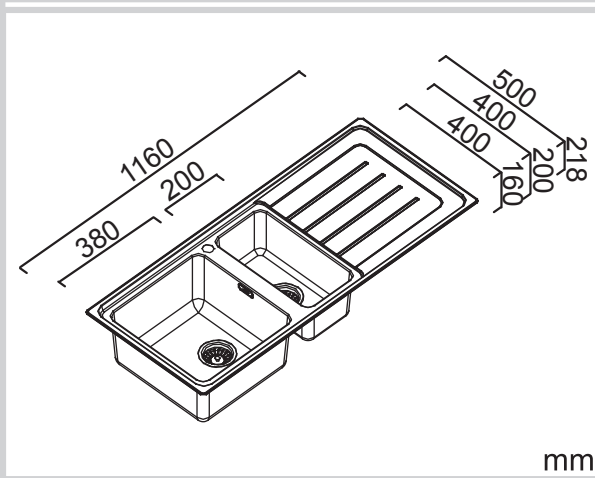
Included Accessories



Optional Accessories



Dimensions



Specifications

Description	Double bowls with one Drainer, inset sink
Overall Sink Size	1160mm x 500mm x 218mm deep
Bowl Dimensions	380mm x 400mm x 200mm deep 200mm x 400mm x 160mm deep
Drainer Length	429mm
Technic	Pressed
Material	Stainless steel SUS304

Installation

Fixings	Inset clips supplied
Template	N/A
Min Cabinet Size	680mm
Waste Holes	2 x 90mm round Compatible with waste disposal

Plumbing

Waste Fittings	2 x (90mm x 2") basket wastes included
Overflow	Supplied

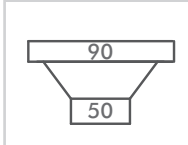
Packaging

Carton Type	EPS protection & individual sleeve
Gross Weight	12Kg
Carton Size	1230mm x 259mm x 555mm
Pack QTY	1

SURFACE FINISH



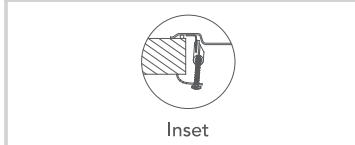
WASTE KIT



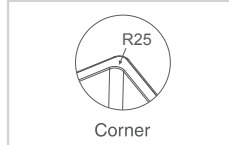
MATERIAL



INSTALLATION OPTIONS



PROFILE



Abey are Australia's leaders in sinkware, designing and manufacturing to the world's highest quality specifications as well as sourcing and bringing you Europe's very best, leading edge designs – practical, affordable, inspirational, stylish, timeless or cutting edge. When you buy an Abey stainless steel sink you receive the highest quality and 25 year warranty. Abey and the manufacturer are continually seeking ways to improve the design specifications, aesthetic and production techniques of the products. As a result, alterations to the specifications and dimensions of the products and designs occur continually.