



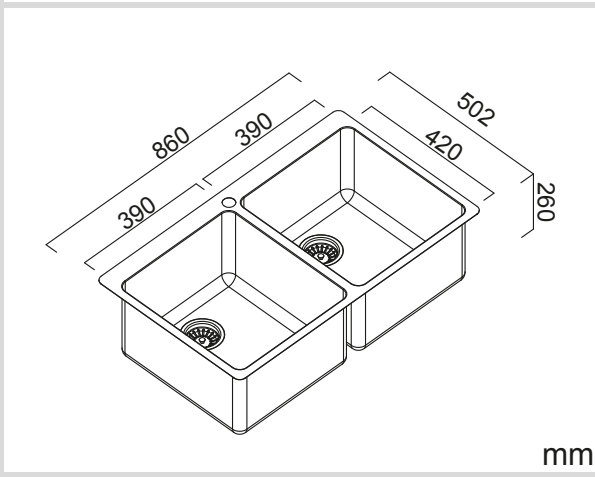
Model Code: LT45DX

Included Accessories

ICP	6020	

Optional Accessories

Dimensions



Specifications

Description	Double bowl, inset sink
Overall Sink Size	860mm x 502mm x 260mm deep
Bowl Dimensions	390mm x 420mm x 260mm deep 390mm x 420mm x 260mm deep
Drainer Length	N/A
Technic	Fabricated
Material	Stainless steel SUS304

Installation

Fixings	Inset clips supplied
Template	N/A
Min Cabinet Size	830mm
Waste Holes	2 x 90mm round Compatible with waste disposal
Sealing Strip	Factory fitted

Plumbing

Waste Fittings	1 x (90mm x 2") basket waste included
Overflow	Available, conditions apply

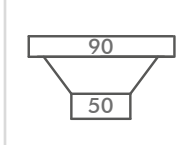
Packaging

Carton Type	EPS protection & carton
Gross Weight	8.5Kg
Carton Size	930mm x 335mm x 580mm
Pack QTY	1

SURFACE FINISH



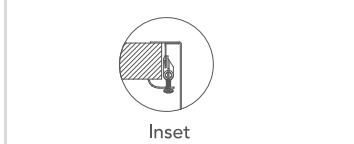
WASTE KIT



MATERIAL



INSTALLATION OPTIONS



PROFILE

