
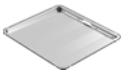





Model Code: LUA221

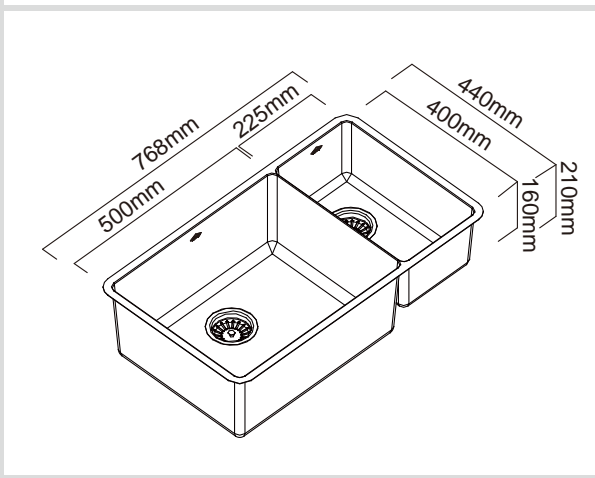
Included Accessories

 Undermount Clip	 Inset Clip	 6020
 DTA-18	 CBB245	

Optional Accessories

 DR007		

Dimensions



Specifications

Description	Double bowls, Inset / Undermount Sink
Overall Sink Size	768mm x 440mm x 210mm deep
Bowl Dimensions	500mm x 400mm x 210mm deep 225mm x 400mm x 160mm deep
Drainer Length	N/A
Technic	Pressed
Material	Stainless steel SUS304

Installation

Fixings	Inset and Undermount clips supplied
Template	N/A
Min Cabinet Size	820mm
Waste Holes	2 x 90mm square Compatible with waste disposal
Sealing Strip	N/A

Plumbing

Waste Fittings	2 x (90mm x 2") basket wastes included
Overflow	Available, conditions apply

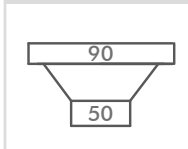
Packaging

Carton Type	EPS protection & Carton
Gross Weight	11Kg
Carton Size	863mm x 286mm x 513mm
Pack QTY	1

SURFACE FINISH



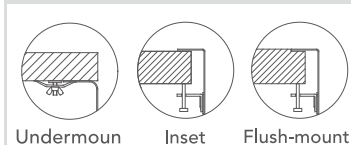
WASTE KIT



MATERIAL



INSTALLATION OPTIONS



PROFILE

